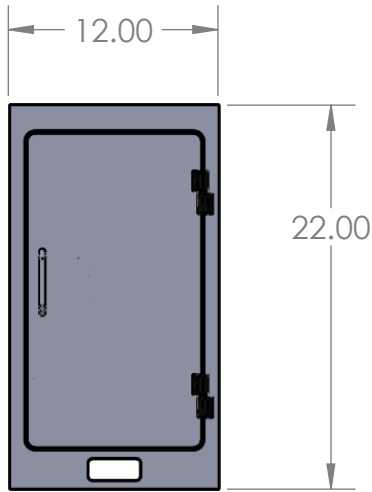
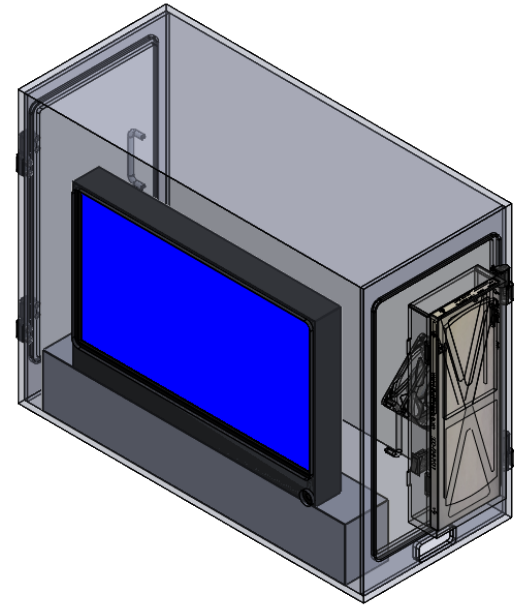


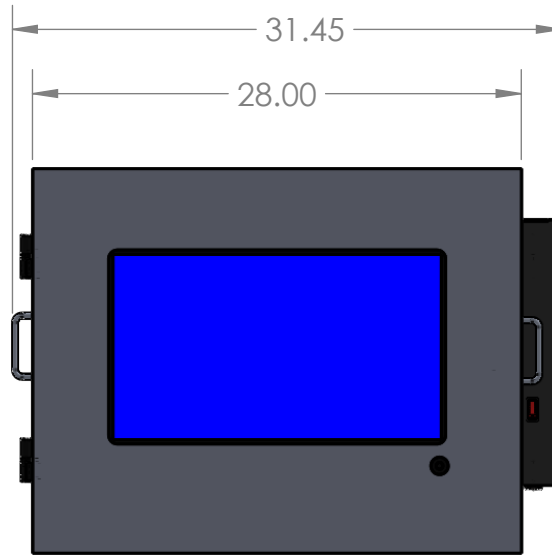
**ENCLOSURE COMES WITH
ADJUSTABLE STRAPS TO SECURE THE
MONITOR AGAINST THE FRONT WALL**

1" DIA. HOLE
FOR POWER
BUTTON

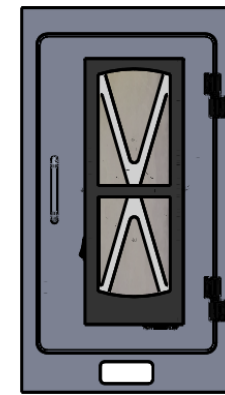
DOORS ARE INTERCHANGEABLE
FROM SIDE TO SIDE.



LEFT VIEW



FRONT VIEW



RIGHT VIEW

MONITOR VIEWING WINDOW OPENING IS 19.3"W x 11.1"H

SIDE DOOR OPENINGS ARE 9.5"W x 17.5"H

CABLE PORTS OPENINGS ARE 3"W x 1.25"H

DUST FREE PC

DESCRIPTION	DRAWING
DFP250H	1267
01/08/2020	SALES@DUSTFREEPC.COM
1-800-775-7611	WWW.DUSTFREEPC.COM