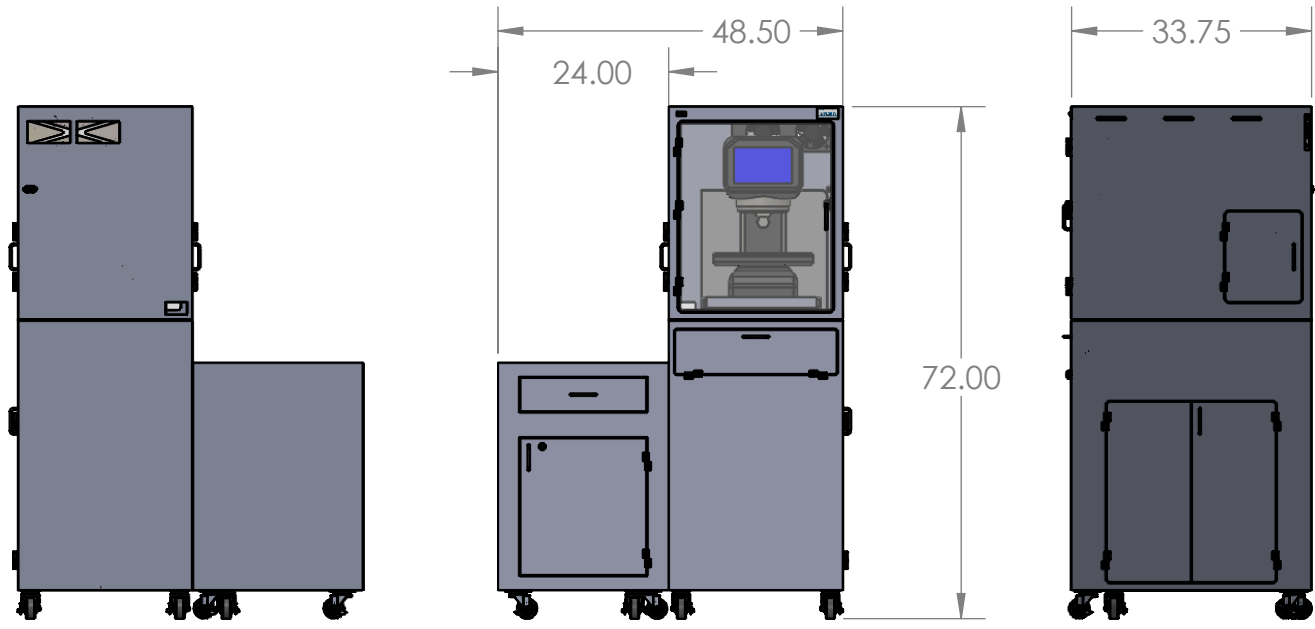
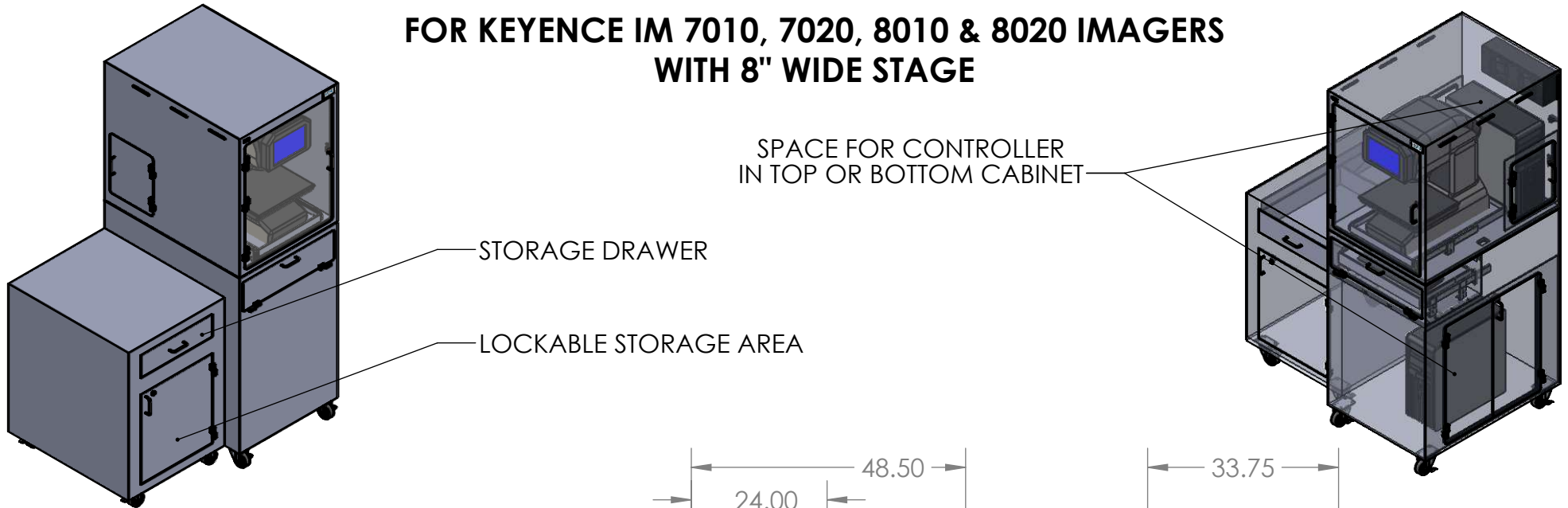


**FOR KEYENCE IM 7010, 7020, 8010 & 8020 IMAGERS
WITH 8" WIDE STAGE**



DUST FREE PC

DESCRIPTION	DRAWING
DFP201IM7K-310B	1485
02/11/2022	SALES@DUSTFREEPC.COM
1-800-775-7611	WWW.DUSTFREEPC.COM