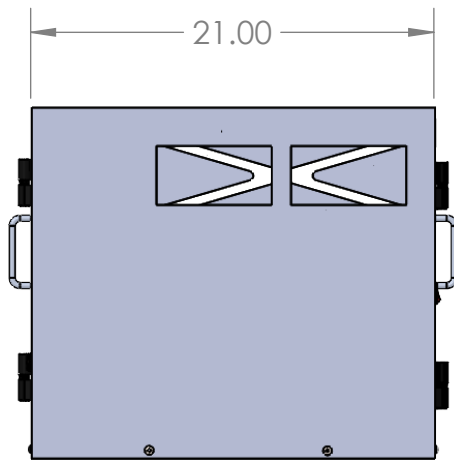
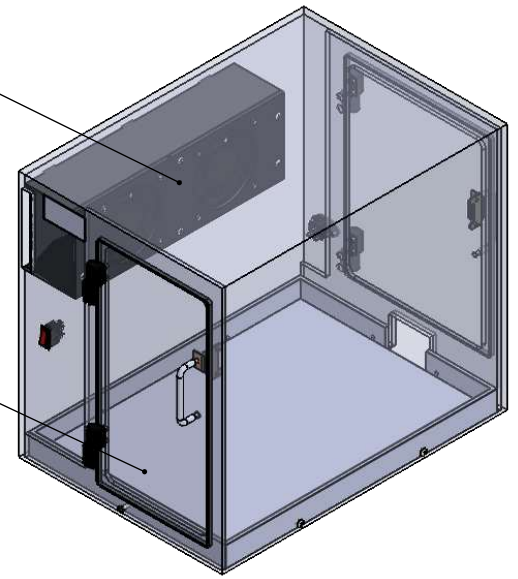


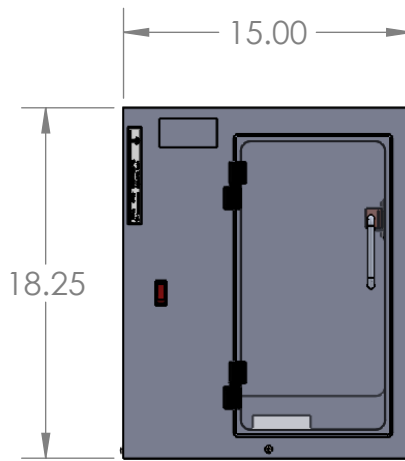
CLEAR ACRYLIC FRONT DOOR

DUAL FAN FILTRATION SYSTEM

REMOVABLE BASE

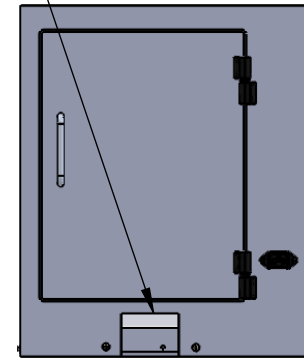


LEFT VIEW



FRONT VIEW

3"W x 2"H CABLE PORT



REAR VIEW

INTERNAL USEABLE DIMENSIONS ARE 10.5"W x 19.5"D x 17.75"H

FRONT DOOR OPENING IS 7.5"W x 15"H

REAR DOOR OPENING IS 10"W x 13.375"H

DUST FREE PC

DESCRIPTION	DRAWING
DFP201IM7K-TT	1737
08/20/2024	SALES@DUSTFREEPC.COM
1-800-775-7611	WWW.DUSTFREEPC.COM