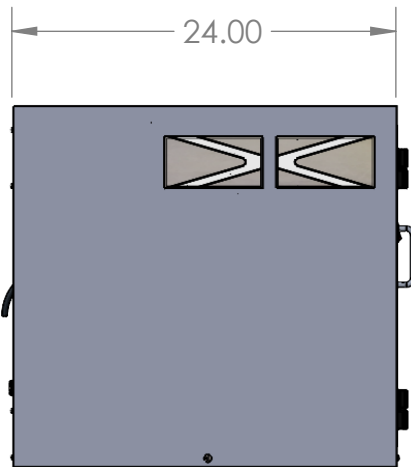
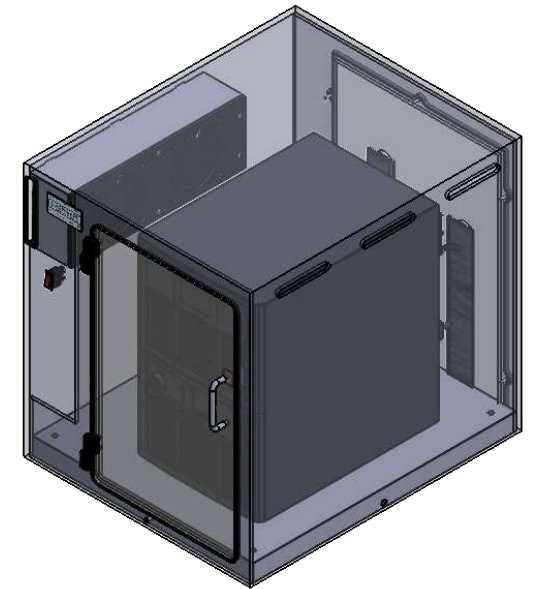
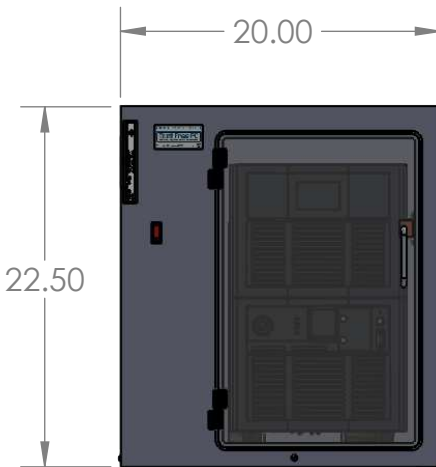


FRONT DOOR IS CLEAR ACRYLIC



LEFT VIEW

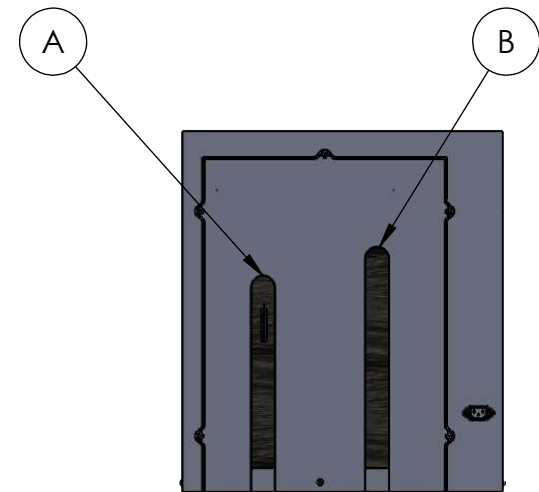
24.00



FRONT VIEW

20.00

22.50



REAR VIEW

FRONT DOOR ACCESS IS 12"W x 19"H

REAR ACCES PANEL OPENING IS 14.5"W x 19"H

SLOT "A" IS FOR MD-F3100 LASER MARKER

SLOT "B" IS FOR MD-X1500 LASER MARKER

BOTH SLOTS ARE COVERED WITH BRUSH MATERIAL

DUST FREE PC

DESCRIPTION	DRAWING
DFP201MDX1500	719C
03/22/2016	SALES@DUSTFREEPC.COM
1-800-775-7611	WWW.DUSTFREEPC.COM