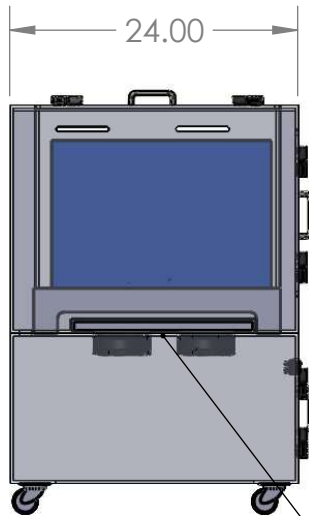
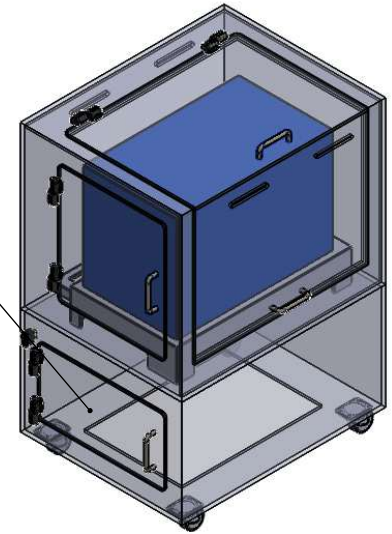
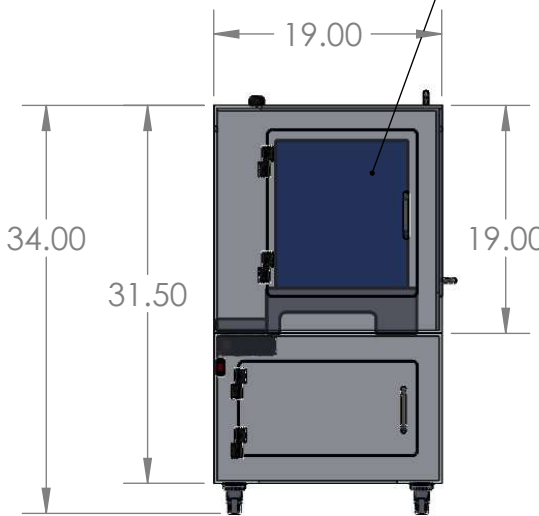


OPENING IN BOTTOM FOR VENTILATION

SURGE PROTECTOR LOCATED IN LOWER CABINET TO PLUG IN FANS AND PRINTER



24.00



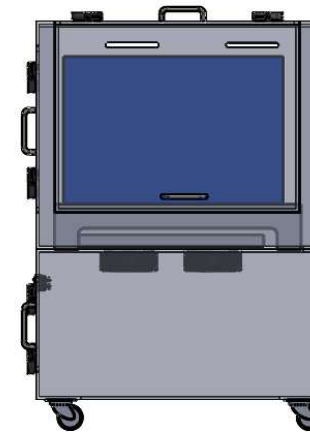
34.00

31.50

19.00

CLEAR ACRYLIC FRONT DOOR

19.00



DUAL FANS PULLING AIR OUT OF TOP CABINET THROUGH FILTER

# DUST FREE PC

|                |                      |
|----------------|----------------------|
| DESCRIPTION    | DRAWING              |
| DFP400BA-6     | 802 A                |
| 08/26/2016     | SALES@DUSTFREEPC.COM |
| 1-800-775-7611 | WWW.DUSTFREEPC.COM   |