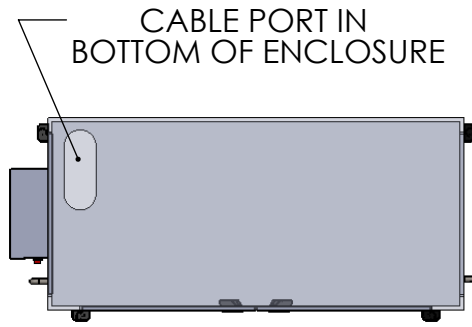
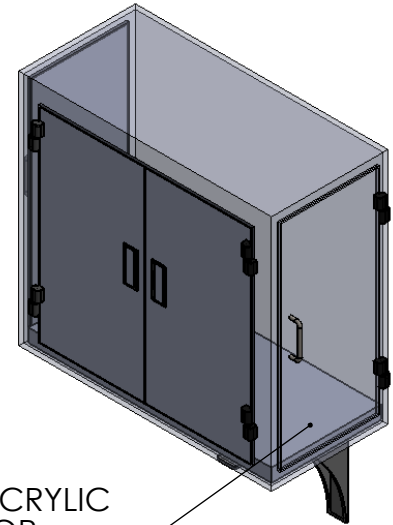


FILTER SLIDES OUT OF FRONT EDGE FOR REPLACEMENT

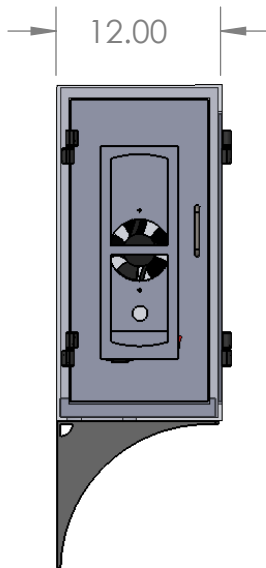


CABLE PORT IN BOTTOM OF ENCLOSURE

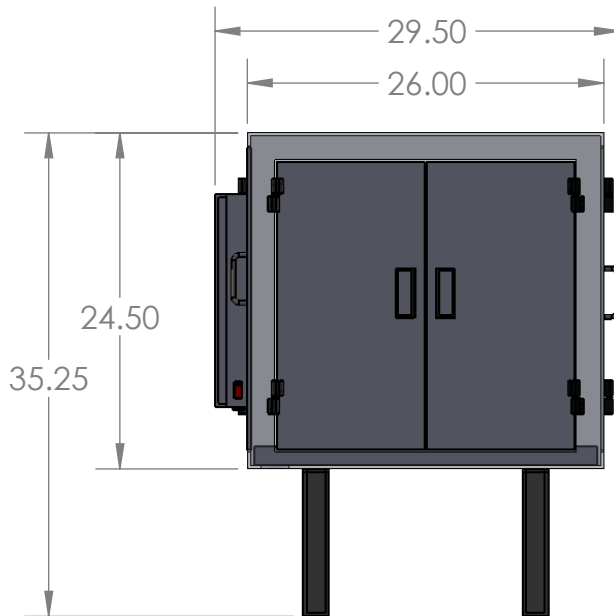
TOP VIEW



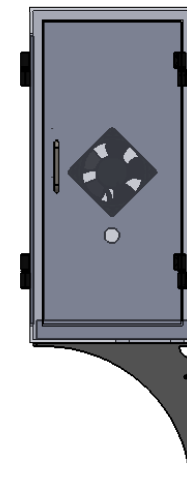
CLEAR ACRYLIC DOOR



LEFT VIEW



FRONT VIEW



RIGHT VIEW

SUPPLIED BRACKETS FOR WALL MOUNTING

RIGHT AND LEFT SIDE DOORS OPENINGS ARE 9.5"D x 21.5"H
 FRONT DOUBLE DOOR OPENING IS 21.25"W x 20.125"H
 INTERNAL USEABLE DIMENSIONS ARE 23.5"W x 10.5"D x 22"H

DUST FREE PC

DESCRIPTION	DFP201-W9	DRAWING	854
	02/01/2017		SALES@DUSTFREEPC.COM
	1-800-775-7611		WWW.DUSTFREEPC.COM