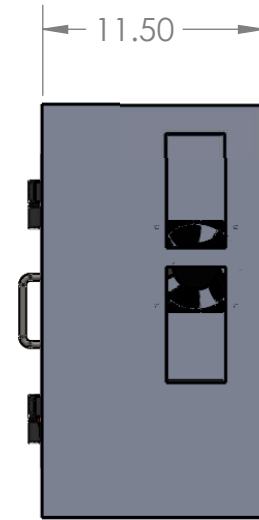
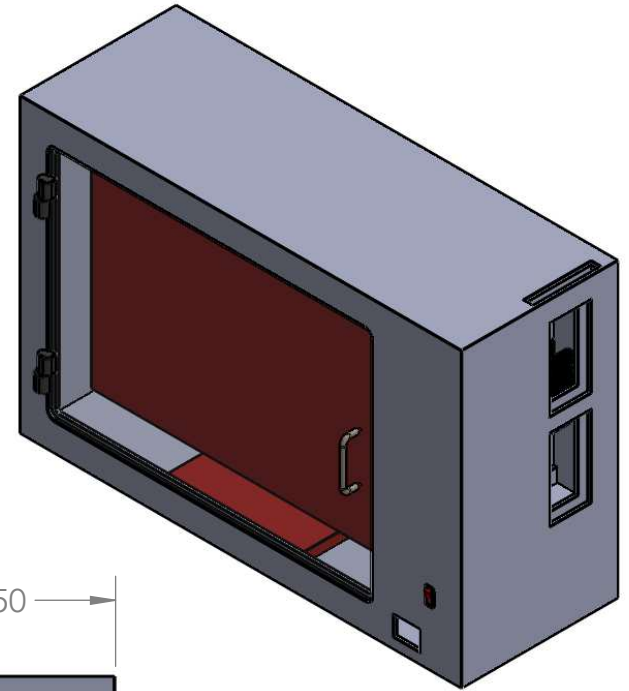


INTERNAL USEABLE DIMENSIONS ARE 27"W x 10.5"D x 20.75"H
 FRONT DOOR OPENING IS 23.25"W x 16.75"H



DUST FREE PC

DESCRIPTION	DFP250-C	DRAWING	889
	03/06/2017		SALES@DUSTFREEPC.COM
	1-800-775-7611		WWW.DUSTFREEPC.COM