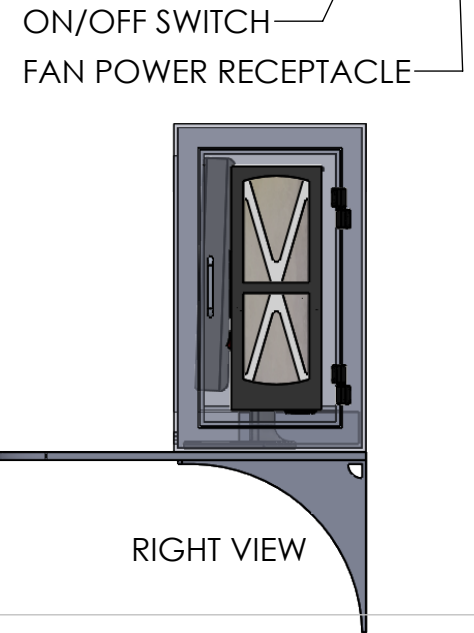
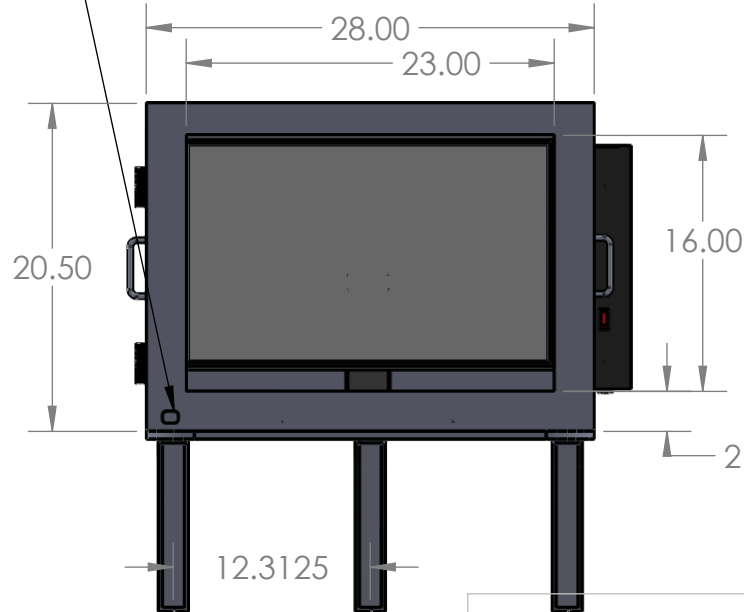
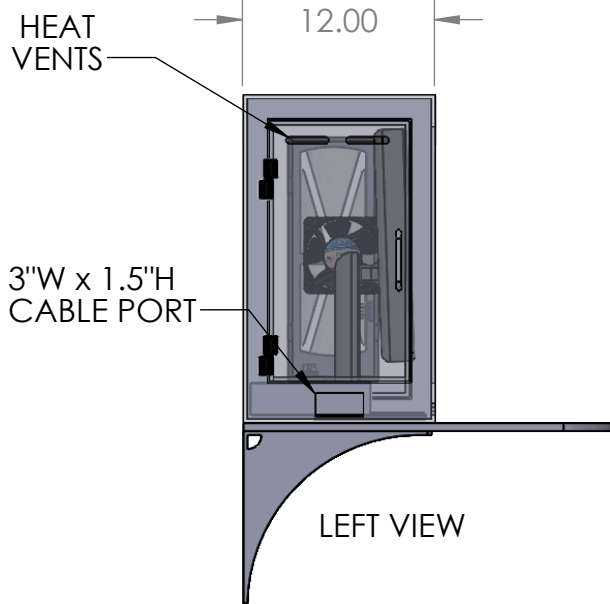


TOP VIEW



LEFT VIEW

FRONT VIEW

RIGHT VIEW

MONITOR VIEWING WINDOW IS 23"W x 16"H

RT DOOR OPENING IS 8.25"W x 16.75"H

LEFT DOOR OPENING IS 8.25"W x 15.75"H

DUST FREE PC

DESCRIPTION	DFP250J	DRAWING	1270
	01/16/2020		SALES@DUSTFREEPC.COM
	1-800-775-7611		WWW.DUSTFREEPC.COM

5

4

3

2

1