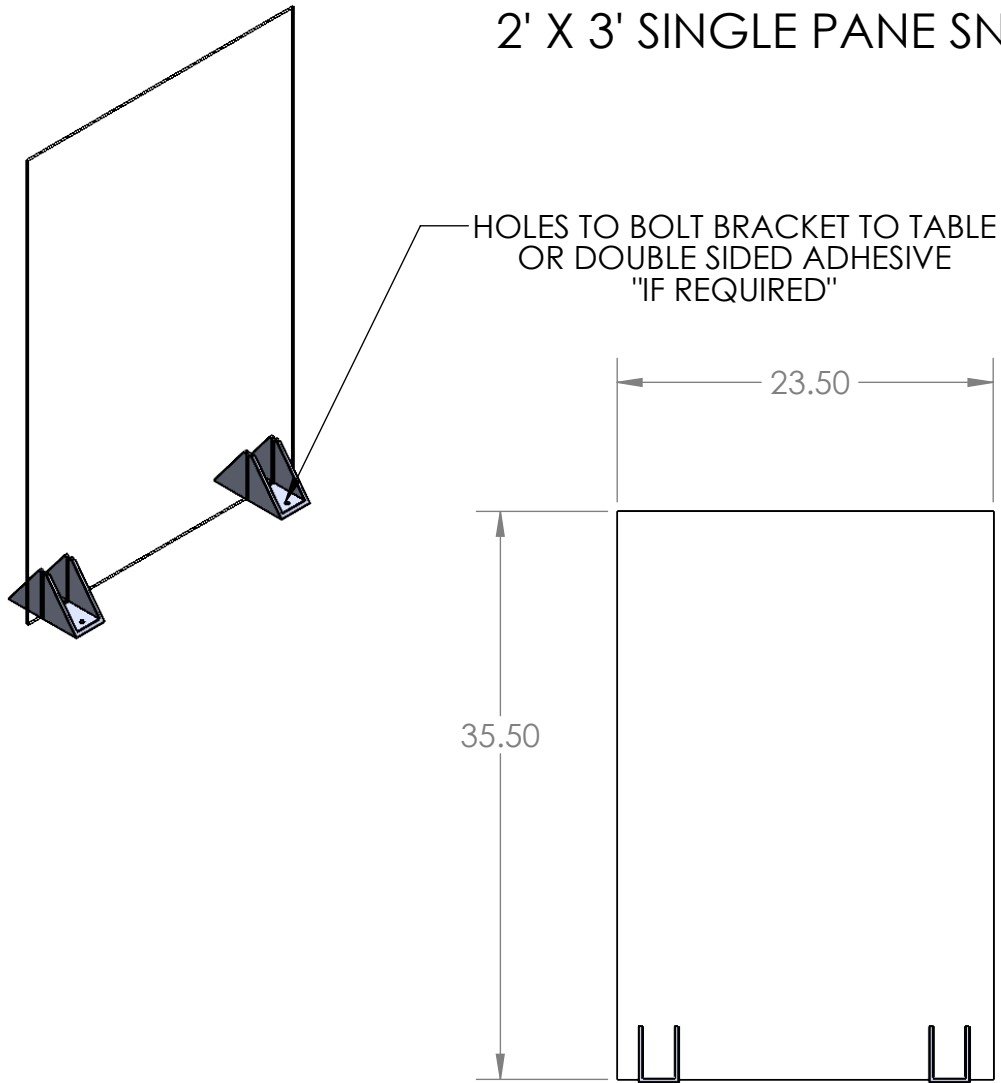


# 2' X 3' SINGLE PANE SNEEZE GUARD



2'W X 3H' WITH TWO FEET

<b><i>DUST FREE PC</i></b>	
DESCRIPTION	SNG2X3
	1296
	04/13/2020
	SALES@DUSTFREEPC.COM
	1-800-775-7611
	WWW.DUSTFREEPC.COM