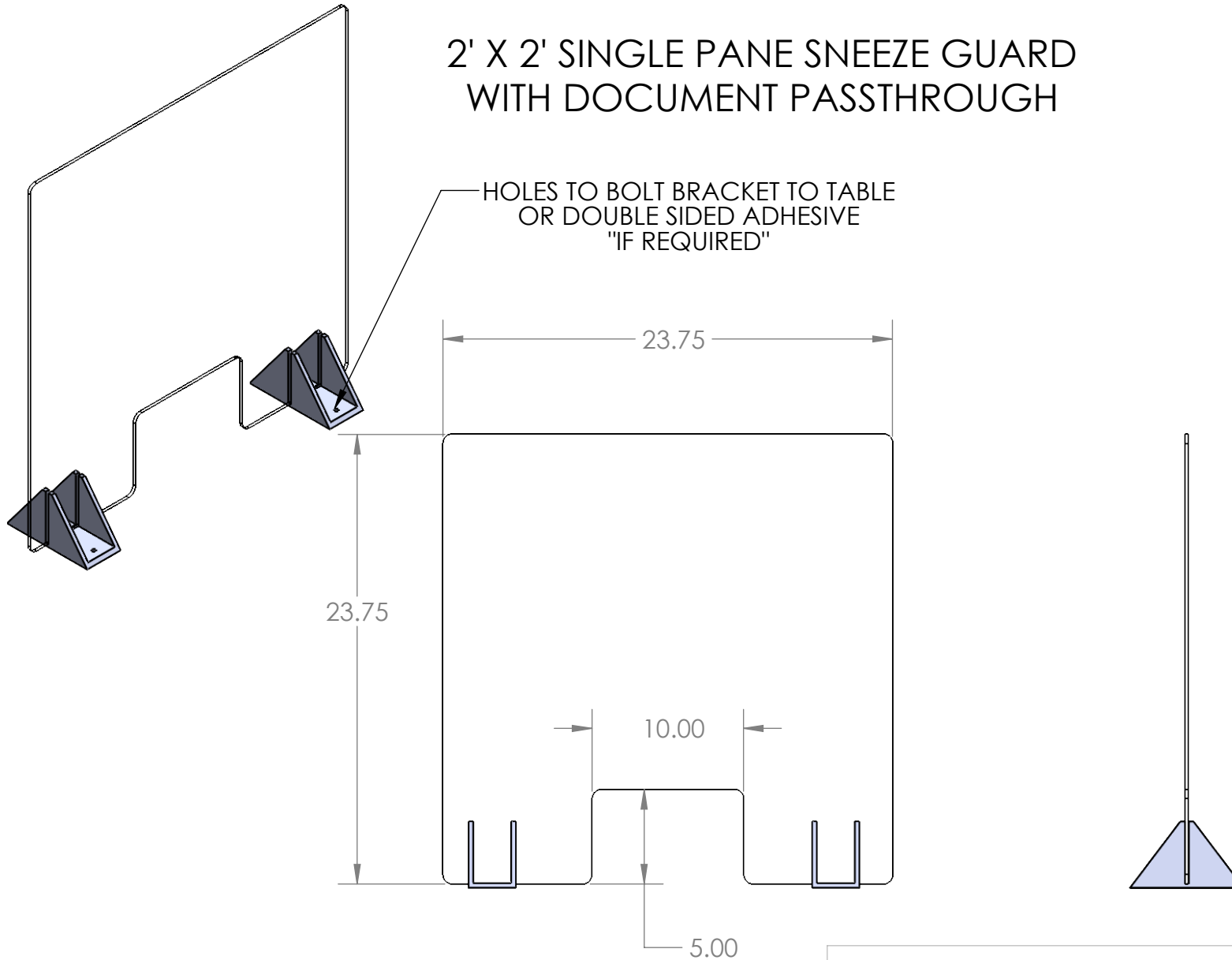


2' X 2' SINGLE PANE SNEEZE GUARD WITH DOCUMENT PASSTHROUGH



2'W X 2H' WITH TWO FEET

| | |
|----------------------------|----------------------|
| DUST FREE PC | |
| DESCRIPTION SNG2X2NOTCH | DRAWING 1298 |
| 04/13/2020 | SALES@DUSTFREEPC.COM |
| 1-800-775-7611 | WWW.DUSTFREEPC.COM |