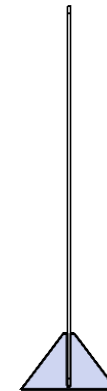
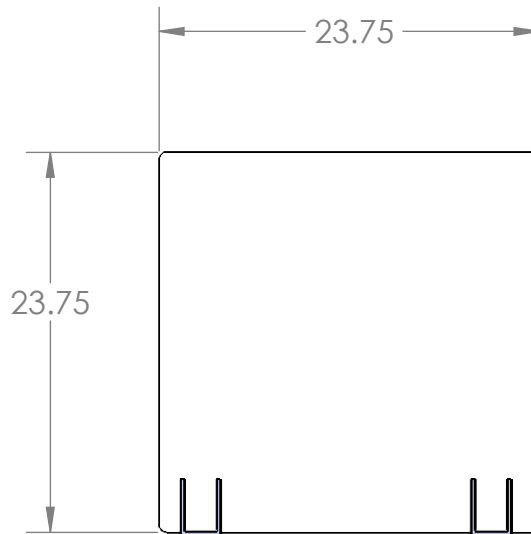
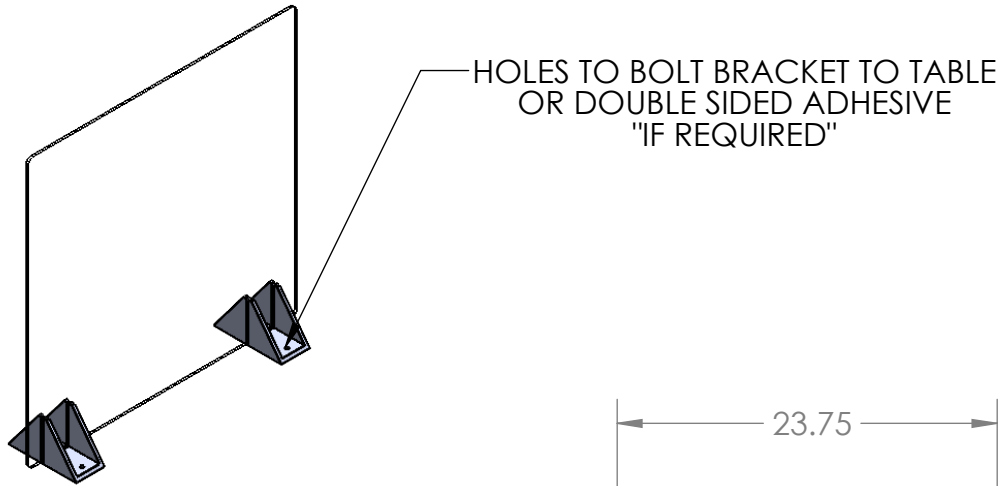


2' X 2' SINGLE PANE SNEEZE GUARD



2'W X 2H' WITH TWO FEET

<i>DUST FREE PC</i>	
DESCRIPTION	SNG2X2
	04/13/2020
	1-800-775-7611
DRAWING	1301
	SALES@DUSTFREEPC.COM
	WWW.DUSTFREEPC.COM